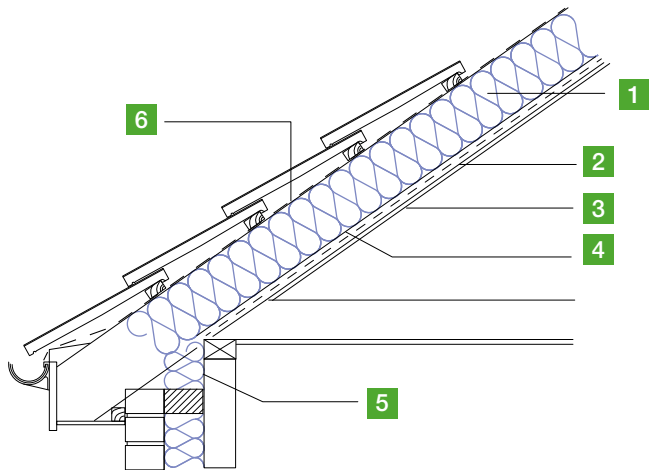


## Typical detail:

### New roof with breathable underlay



1. WALLTITE CL100 insulation to achieve target U-value
2. Vapour control layer
3. Plasterboard and skim
4. Unventilated air space
5. WALLTITE returned to insulated cavity stop at head of wall
6. Breathable roof tile underlay

Habitable space: plasterboard and skim/VCL with taped joints VCL to be carefully cut and sealed around struts, ceiling joists and penetrations); batten/counter batten rafters as necessary to achieve insulation depth, confirm rafter strength sufficient to receive counter battening and boarding if required.

Loft space only, non habitable: insulated between and over rafters to achieve target U-value. WALLTITE may remain exposed.